

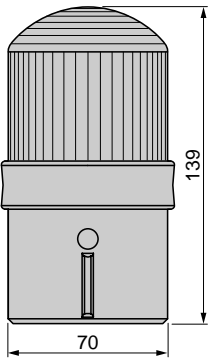
# Beacons and indicator banks

Beacons and indicator banks Ø 70 mm  
Universal, Harmony type XVB

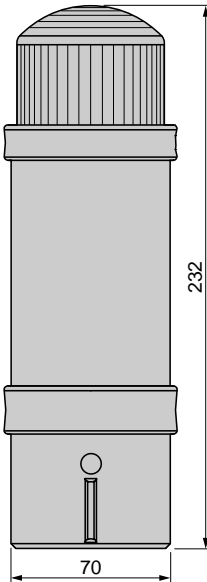
## Dimensions

### Illuminated beacons XVB L●●●

For BA 15d bulb or LED

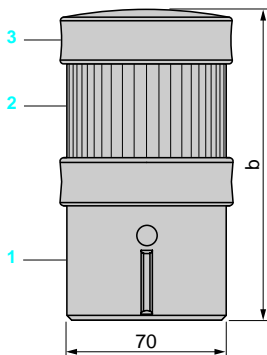


With "flash" discharge tube unit



### Indicator banks XVB C●●●

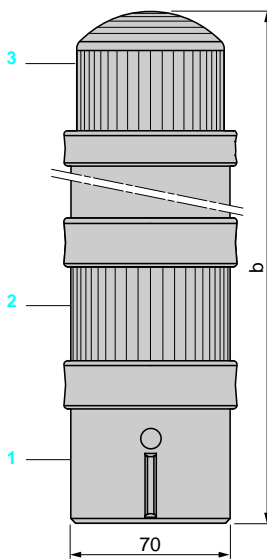
Without "flash" discharge tube unit



1 + 3 = Base unit + cover  
XVB C21  
2 Illuminated or audible  
signalling unit XVB C●●●

Number of illuminated or audible signalling units (no "flash")	b
1	138
2	201
3	264
4	327
5	390

With "flash" discharge tube unit

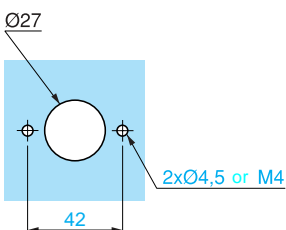


1 Base unit XVB C07  
2 Illuminated or audible signalling unit  
XVB C●●●  
3 "Flash" unit XVB C●●●

Number of illuminated or audible signalling units other than "flash" tube	b
1	295
2	358
3	421
4	484

### Panel cut-out for direct fixing

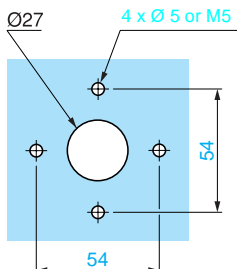
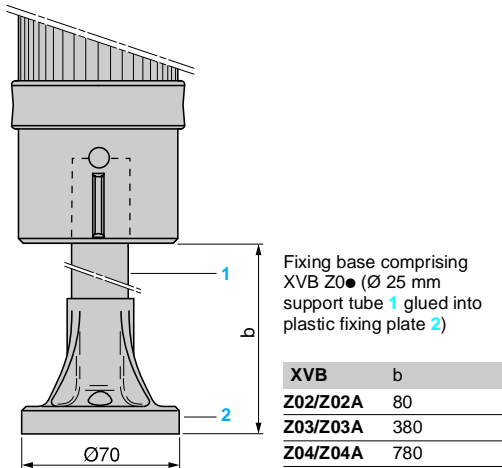
On base unit XVB C21, XVB C07, XVB C21A or XVB C21B



## Dimensions

With fixing bases comprising XVB Z0● (aluminium support tube glued into black plastic fixing plate)

Horizontal support panel cut-out for mounting on fixing plate

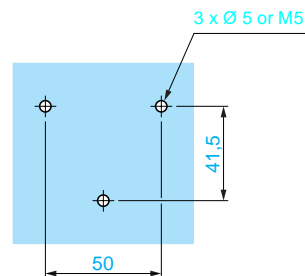
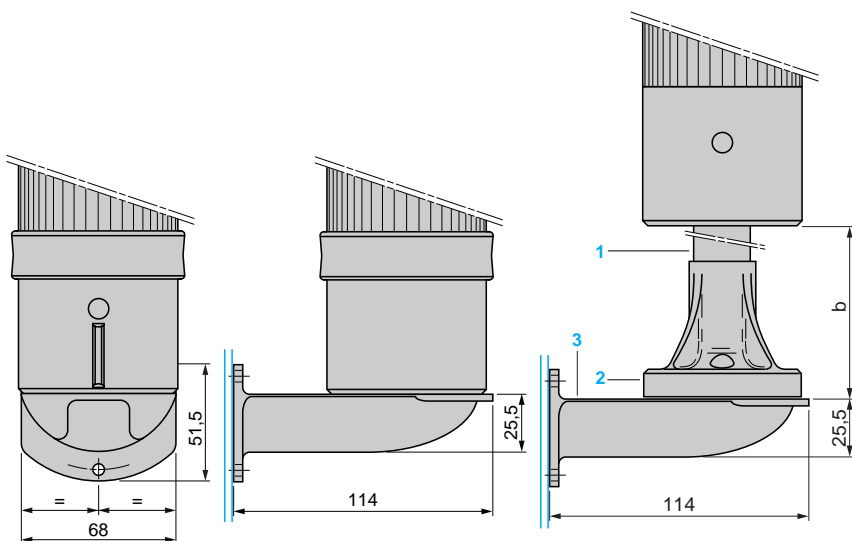


With fixing plate XVB C12 for use on vertical support

Direct mounting on base unit

Mounting using fixing base XVB Z0● (aluminium support tube glued into black plastic fixing plate)

Vertical support panel drillings for mounting fixing plate XVB C12



Fixing base comprising XVB Z0● (Ø 25 mm support tube 1 glued into plastic fixing plate 2) mounted on fixing plate XVB C12 for vertical support 3

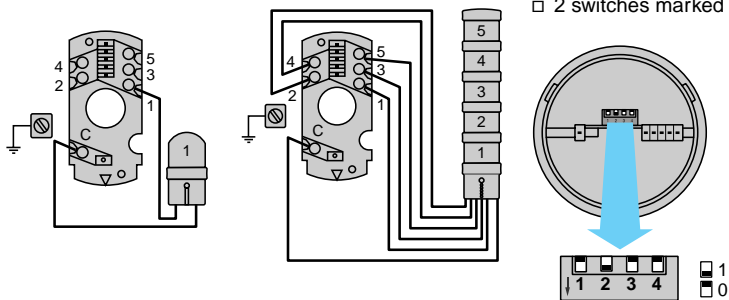
XVB	b
Z02/Z02A	80
Z03/Z03A	380
Z04/Z04A	780

## Installation

### Connections

XVB L

XVB C



### Adjustment of audible signal for buzzers type XVB C9●

By means of 4 microswitches located in the base of the buzzer:

- 2 switches marked 1 and 2 for selecting continuous or intermittent mode (Hz).
- 2 switches marked 3 and 4 for selecting the power (dB) of the audible signal.

Position of microswitches		Setting
1	2	Mode
1	1	— 2.8 kHz
1	0	— 2.8 kHz
0	1	⎓ 5 Hz (1)
0	0	⎓ 1 Hz
3	4	Power
1	1	90 dB (1)
0	1	85 dB
1	0	80 dB
0	0	70 dB

(1) Factory setting.